

Norborn a.s



THE ALTERNATIVE TO PACKINGS



ENERGY

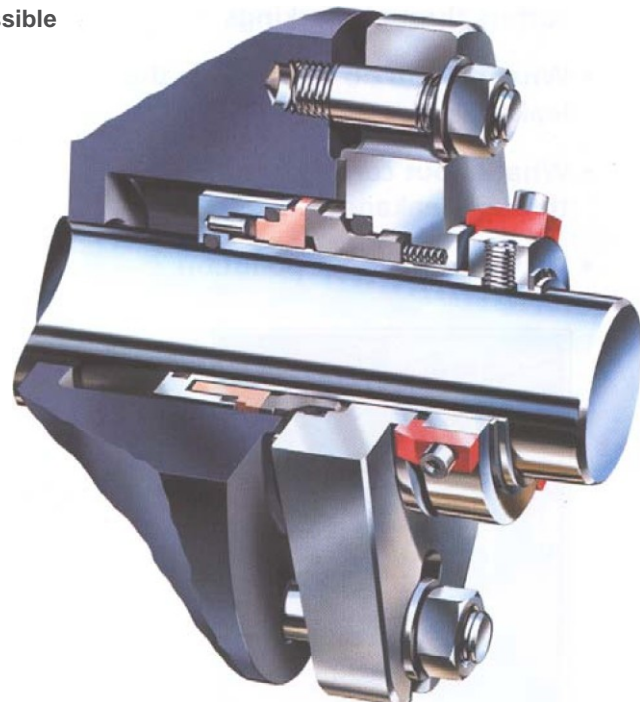
- A packed pump works like driving a car with the hand break pulled.
- Is the required energy free in your company ?

**WHY don't YOU
take charge NOW ?**

CHANGE TO RELIABLE DEPAC SEAL 270

and make **SAVINGS** for your company possible
NOW!

- Scared of pump modifications ?
– Not required for DEPAC 270 –
- Scared of difficulties in installations ?
– DEPAC 270 is a pre-assembled cartridge-
- Scared of high costs ?
– DEPAC 270 is cheaper than your present costs of packing maintenance –



Norborn a.s
Industriveien 21
3940 Porsgrunn

Tlf: 64 93 66 30
Fax: 64 93 66 31
E-post: info@norborn.no

Foretaksnr.: 975 936 783
Bank: DnB
Konto nr.: 1614.48.04175